

Unit Illustrated:

Solace HBZDV4736N Direct Vent Fireplace,
LOGF36 Log Set (Fiber Split Oak),
HB47CVCK Circulating Kit (Designer Clean View),
HB47RLH Liner (Herringbone Brick).



SOLACE

ZERO CLEARANCE DIRECT VENT GAS FIREPLACE

 **marquis**
FIREPLACE COLLECTION

FIND YOUR SOLACE.

Imagine lively gatherings or times of quiet reflection in front of the beautiful **Solace**. Available in two sizes, the **Solace** allows you to transform your fireplace into something truly unique.

With so much style and attention to detail, the **Solace** is available in a range of sizes and styles. You can choose from our mid-efficient rated fireplace for ambiance and taking the chill out of the room, or our higher-efficient version for additional warmth.

STANDARD FEATURES

- Millivolt or IPI valve system allows operation during a power failure with Hi/Low heat and flame adjustment
- Dual burner with Realistic Flame Pattern
- Safety Screen Barrier

OPTIONAL FEATURES

Designer Clean View Circulating Kit:

No Louvers Required

Louvers:

Grills available in Black

Fan Kit:

Heat activated with variable speed control

Accessories:

Log sets or rock sets required

Liners:

Porcelain Reflective Liner or Brick Liners

Thermostat:

Wall Mount or Programmable

Remote:

Thermostat On/Off, Thermostat On/Off modulating, Thermostat On/Off modulating and fan control

Wall Mount Battery Holder (WMBH):

The battery holder provides power to the IPI system in case of power failures. Locating the battery holder outside of the fireplace (wall mount), provides a convenient and accessible location for battery installation and removal.

Find all detailed Solace manuals:

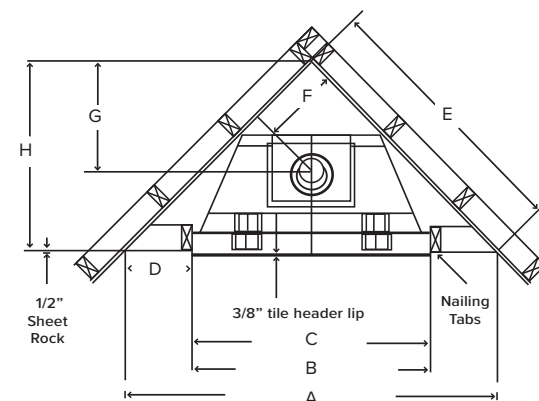


SPECIFICATIONS

SOLACE	Flue	Fuel	Input Max.	Input Min.	FE (P.4.1-15)	Log Sets
HBZDV4736N / NE	Top	Natural Gas	40,000 BTU	27,000 BTU	60.39% / 61.88%	LOGF36
HBZDV4736LP / LPE	Top	Propane	36,000 BTU	30,000 BTU	53.79% / 54.90%	LOGF36

SOLACE II	Flue	Fuel	Input Max.	Input Min.	FE (P.4.1-15)	Log Sets
HBZDV3624N / NE	Top	Natural Gas	24,000 BTU	14,000 BTU	50.48% / 52.30%	MQLOGF36BW, LOGC44
HBZDV3624LP / LPE	Top	Natural Gas	22,000 BTU	15,000 BTU	52.59% / 54.24%	MQLOGF36BW, LOGC44
HBZDV3628N / NE	Top	Propane	28,000 BTU	20,000 BTU	60.61% / 62.69%	MQLOGF36BW, LOGC44
HBZDV3628LP / LPE	Top	Propane	26,000 BTU	19,000 BTU	62.48% / 64.16%	MQLOGF36BW, LOGC44
HBZDV4224N / NE	Top	Natural Gas	24,000 BTU	14,000 BTU	55.69% / 57.81%	MQLOGF36BW, LOGC44
HBZDV4224LP / LPE	Top	Natural Gas	22,000 BTU	15,000 BTU	57.03% / 59.09%	MQLOGF36BW, LOGC44
HBZDV4228N / NE	Top	Propane	28,000 BTU	20,000 BTU	68.04% / 70.16%	MQLOGF36BW, LOGC44
HBZDV4228LP / LPE	Top	Propane	26,000 BTU	19,000 BTU	65.29% / 67.66%	MQLOGF36BW, LOGC44

TOP FLUE MODEL	Height		Front Width		Depth	
	Actual	Framing	Actual	Framing	Actual	Framing
LOUVERS						
HBZDV36	34 13/16"	35"	36"	36 3/8"	16 7/16"	17"
HBZDV42	37"	37 3/8"	41 7/8"	42 3/8"	16 7/16"	17"
HBZDV47	43 1/16"	43 1/8"	47 1/16"	47 3/8"	19 7/16"	19 1/2"
CLEAN VIEW CIRCULATING KIT						
HBZDV36	34 11/16"	41"	38 1/16"	38 7/16"	18 7/8"	19 1/2"
HBZDV42	36 13/16"	43"	42 1/16"	42 7/16"	18 15/16"	19 1/2"
HBZDV47	49"	49 1/8"	48 1/16"	48 3/8"	21 15/16"	22"



TOP FLUE MODEL VIEWING AREA

	Width	Height
HBZDV36	29 3/4"	18 5/8"
HBZDV42	33 3/8"	20 3/8"
HBZDV47	39 1/2"	26 3/8"

CORNER FRAMING DIMENSIONS (INCHES): LOUVERED UNITS

HBZDV36	HBZDV42	HBZDV47
A 54 13/16"	A 58 13/16"	A 65 1/4"
B 36 3/8"	B 42 3/8"	B 47 3/8"
C 36"	C 41 7/8"	C 47 1/16"
D 9 3/16"	D 8 1/4"	D 8 15/16"
E 38 3/4"	E 41 5/8"	E 46 1/8"
F 12 3/8"	F 13 3/4"	F 13 15/16"
G 17 9/16"	G 19 1/2"	G 19 11/16"
H 27 3/8"	H 29 7/16"	H 32 5/8"

CORNER FRAMING DIMENSIONS (INCHES): CLEAN VIEW CIRCULATING KIT (CVK)

HBZDV36	HBZDV42	HBZDV47
A 59 7/8"	A 63 13/16"	A 70 3/16"
B 38 7/16"	B 42 7/16"	B 48 3/8"
C 38 1/16"	C 42 1/16"	C 48 1/16"
D 10 1/16"	D 10 11/16"	D 10 7/8"
E 42 5/16"	E 45 1/8"	E 49 5/8"
F 12 3/8"	F 13 3/4"	F 13 15/16"
G 17 9/16"	G 19 1/2"	G 19 11/16"
H 29 5/16"	H 31 7/8"	H 35 1/16"



ACCESSORIES

LOG & ROCK SETS



LOGF36 Fibre Split Oak
SOLACE



MQLOGF36BW Birch
SOLACE II



LOGC44
SOLACE II



MQROCK2 Natural Rock Set*

LINERS



RLH Herringbone Brick



RLT Traditional Brick



PL Porcelain Reflective

REMOTE & THERMOSTAT



PF1 IPI/MV



Z80PT Wall Mount

*Requires Support Platform (Solace II only)



Unit Illustrated:
Solace II HBZDV4228NE Direct Vent Fireplace,
MQLOGF36BW Log Set (Birch), HB42GBL Grill Kit (Black),
HB42PL Liner (Porcelain Reflective).



FOR CALIFORNIA RESIDENTS ONLY:

WARNING! This product can expose you to chemicals including Carbon Monoxide, that is an externally vented by-product of fuel consumption, which is [are] known to the State of California to cause birth defects or other reproductive harm. For more information, visit www.P65Warnings.ca.gov.



Marquis Fireplaces maintains a program of continuous testing, refinement and improvements of all its products. Some aspect of units shown here may be changed at any time without notice or obligation.

Certified to: ANSI Z21.88-2017 • CSA 2.33-2017
Vented Gas Fireplace Heaters, CSA 2.17-2017

Note: Components may have to be ordered separately to create a complete unit. Discuss with your local Marquis Dealer for clarification.

Canada



Look for the **EnerGuide**
Gas Fireplace Energy
Efficiency Rating in this brochure

Based on CSA P.4.1-15

Unit Illustrated:

Solace II HBZDV3628N Direct
Vent Fireplace, LOGC44 Log Set
(Fiber Split Oak), HB36CVCK
Clean View Kit, HB36LT Liner
(Traditional Brick).

Crafted entirely in Canada, each
Marquis fireplace is built to the
highest standards and made to last.

LIMITED LIFETIME WARRANTY



2340 Logan Avenue
Winnipeg, Manitoba, CAN
R2R 2V3
Phone: 204.632.1962
Fax: 204.632.1960
marquisfireplaces.net

Printed in Canada
B057 - 03/2026