



**Unit Illustrated:** MQZDV4634NE2 Zero Clearance Direct Vent Gas Fireplace (Natural Gas), MQRSP39BL Glass and Rock Tray Support Platform, MQG5A Decorative Ember Glass (Cobalt), MQ46PL Porcelain Reflective Liner, MQG10B Black Glass on the bottom of the fireplace.

COVE

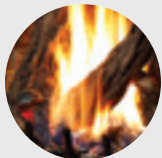
ZERO CLEARANCE DIRECT VENT GAS FIREPLACE

 marquis  
COLLECTION

<b>Model</b>	MQZDV3927NE2	MQZDV3927LPE2	MQZDV4634NE2	MQZDV4634LPE2
<b>Fuel</b>	Natural	Propane	Natural	Propane
<b>Input Max.</b>	42,500 BTU	40,500 BTU	59,000 BTU	55,500 BTU
<b>Input Min.</b>	29,000 BTU	32,000 BTU	40,500 BTU	44,000 BTU
<b>FE (P.4.1-15)</b>	62.45%	55.50%	47.91%	38.47%
<b>Viewing Area</b>	26 ¾" W x 34 ¼"H		33 ⅞" W x 44"H	
<b>Venting</b>	5"/7" Kingsman Flex or 5"/8" with Adapter		7"/10" Kingsman Flex Vent	

### LOG SET

LOG SET  
OR ROCK  
SET  
REQUIRED  
FOR EACH  
UNIT:



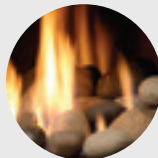
Fiber Split  
Oak Log Set

### OR ROCK SET

GLASS  
TRAY  
REQUIRED:



MQROCK2  
Natural Rocks

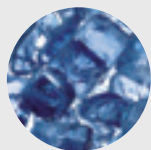


MQROCK3  
Multi-Colored

### GLASS MEDIA (GLASS TRAY REQUIRED)



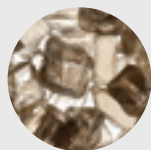
MQG5ZG  
Zircon Glacier  
Ice Glass



MQG5A  
Cobalt  
Ember Glass



MQG5B  
Black  
Ember Glass

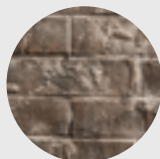


MQG5C  
Bronze  
Ember Glass

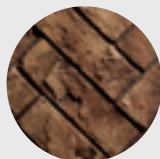


MQG5W  
White  
Ember Glass

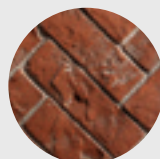
### LINERS



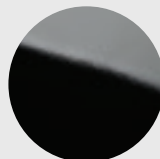
Traditional  
Brick Liner



Herringbone  
Brick Liner



Red Herringbone  
Brick Liner



Porcelain  
Reflective Liner

### THERMOSTATS

Wall Mount or  
Programmable



### REMOTE CONTROL

On/Off, Thermostat,  
Modulating and Fan/  
Light Control Module



PF2



Give a **WARM**  
Welcome

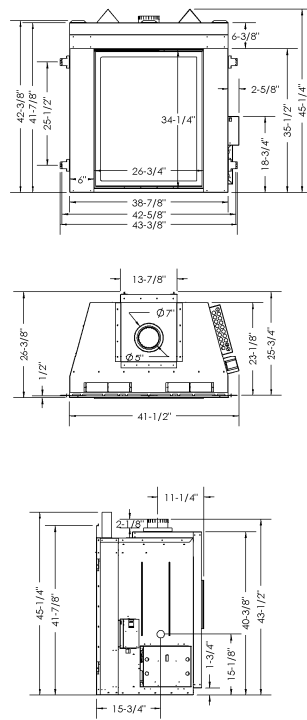
Grand in style and stature, the **Cove** makes  
a contemporary statement in any home.

Visit [www.marquisfireplaces.net](http://www.marquisfireplaces.net)  
to see the latest evolution in fireplaces.

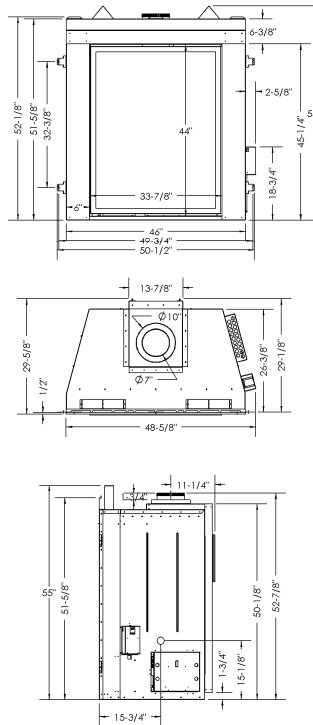


## FIREPLACE GENERAL DIMENSIONS

**MQZDV3927**



**MQZDV4634**



### STANDARD FEATURES

- Safety Screen Barrier
- Proflame II (PF2) Models include Remote Control – Features flame, fan, thermostat, smart thermostat, accent lighting

### OPTIONAL FEATURES

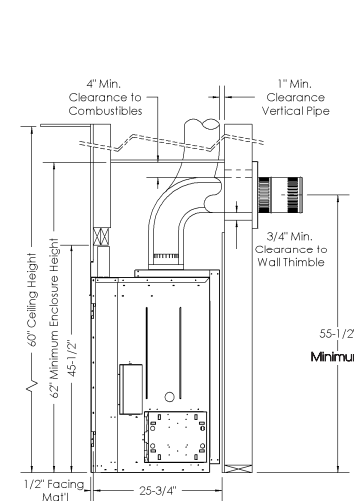
**Log Set:** Fiber Split Oak

**Glass Tray:** Contemporary Rocks (Natural or Multi-Colored), or Decorative Ember Glass (Glacier Ice, Cobalt Blue, Black, Bronze, White)

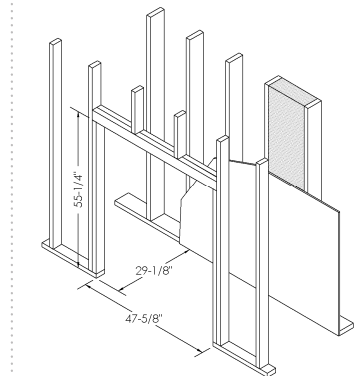
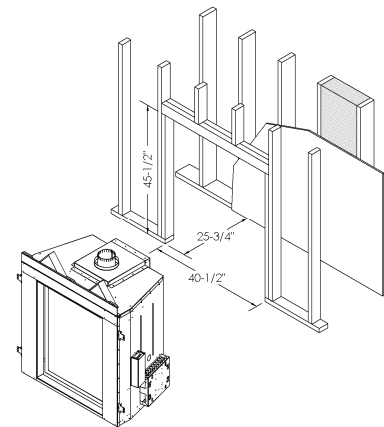
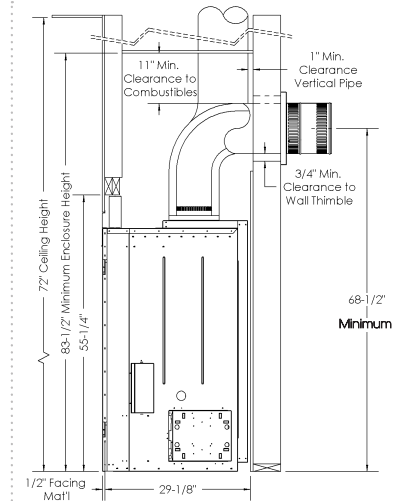
**Liners:** Porcelain Panels or Brick Liners

## FRAMING YOUR GAS FIREPLACE

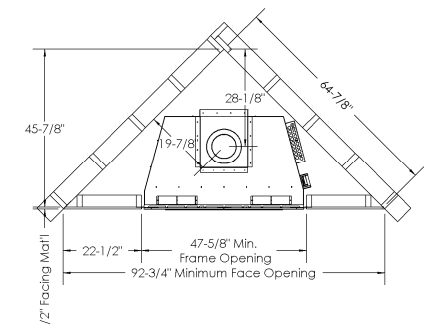
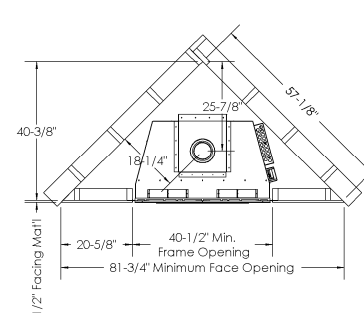
**MQZDV3927**



**MQZDV4634**



### CORNER FRAME DIMENSIONS



Unit Illustrated: MQZDV4634NE2 Zero Clearance Direct Vent Gas Fireplace (Natural Gas), MQLOGF46 Fiber Split Oak Log Set, and MQ46RLT Traditional Brick Liner.



Marquis Fireplaces maintains a program of continuous testing, refinement and improvements of all its products. Some aspect of units shown here may be changed at any time without notice or obligation.

Certification: Models MQZDV3927 are certified as a Vented Gas Fireplace Heater ANSI Z21.88-2014, CSA 2.33-2014, CGA 2.17-M91 (R2009). Models MQZDV4634 are certified as a Vented Gas Fireplace ANSI Z21.50-2014, CSA 2.22-2014, CGA 2.17-M91 (R2009).

Note: Components may have to be ordered separately to create a complete unit. Discuss with your local Marquis Dealer for clarification.

Canada

**ENERGUIDE**

Look for the **EnergyGuide** Gas Fireplace Energy Efficiency Rating in this brochure

Based on CSA P.4.1-15



**FOR CALIFORNIA RESIDENTS ONLY:**  
**WARNING!** This product can expose you to chemicals including Carbon Monoxide, that is an externally vented by-product of fuel consumption, which is [are] known to the State of California to cause birth defects or other reproductive harm. For more information, visit [www.P65Warnings.ca.gov](http://www.P65Warnings.ca.gov).

Crafted entirely in Canada, each Marquis fireplace is built to the highest standards and made to last.

**LIMITED LIFETIME WARRANTY**



2340 Logan Avenue  
Winnipeg, Manitoba, CAN  
R2R 2V3  
Phone: 204.632.1962  
Fax: 204.632.1960  
[marquisfireplaces.net](http://marquisfireplaces.net)

Printed in Canada  
B071 - 02/2020